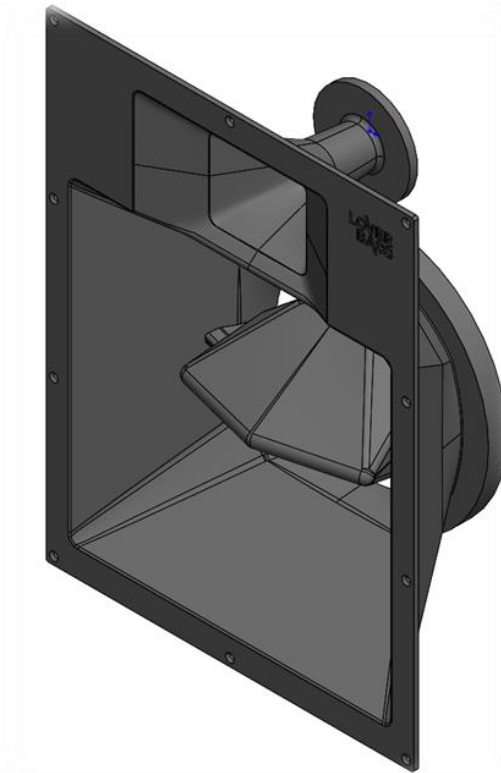


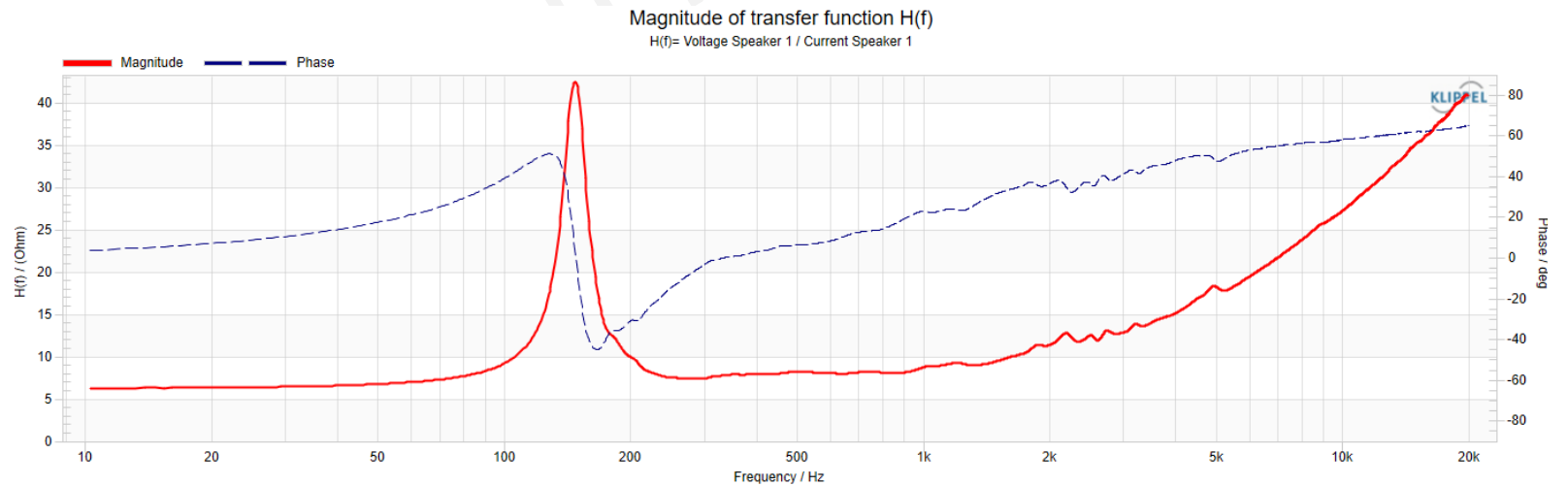
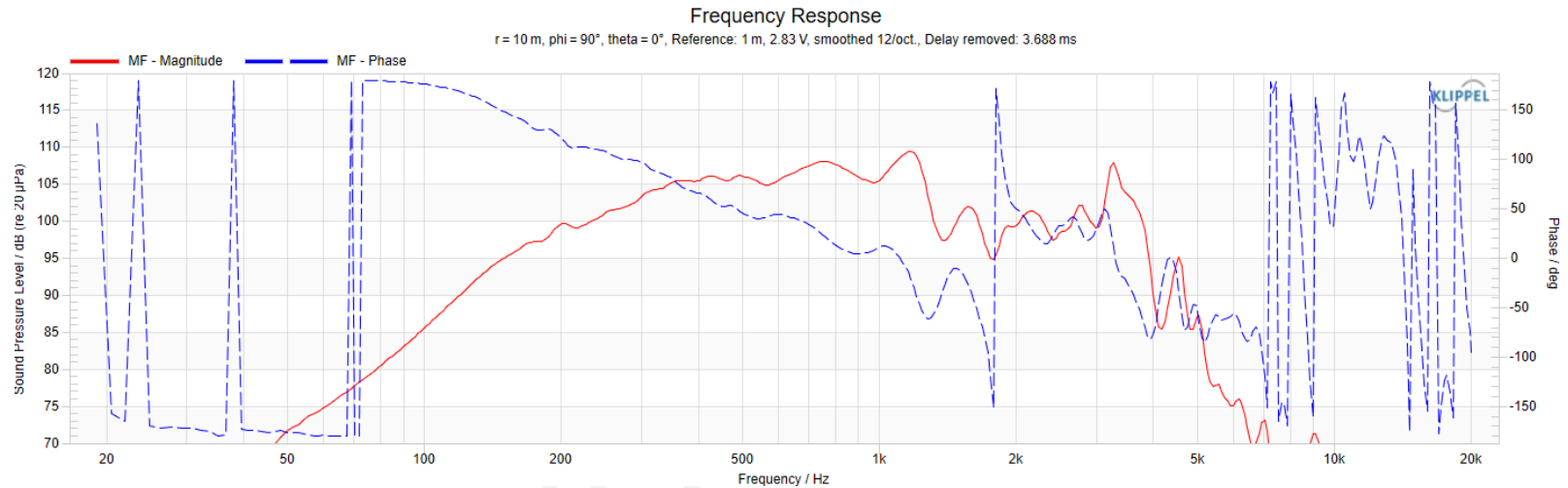


Lovebass validation horn M/HF v.1 Results



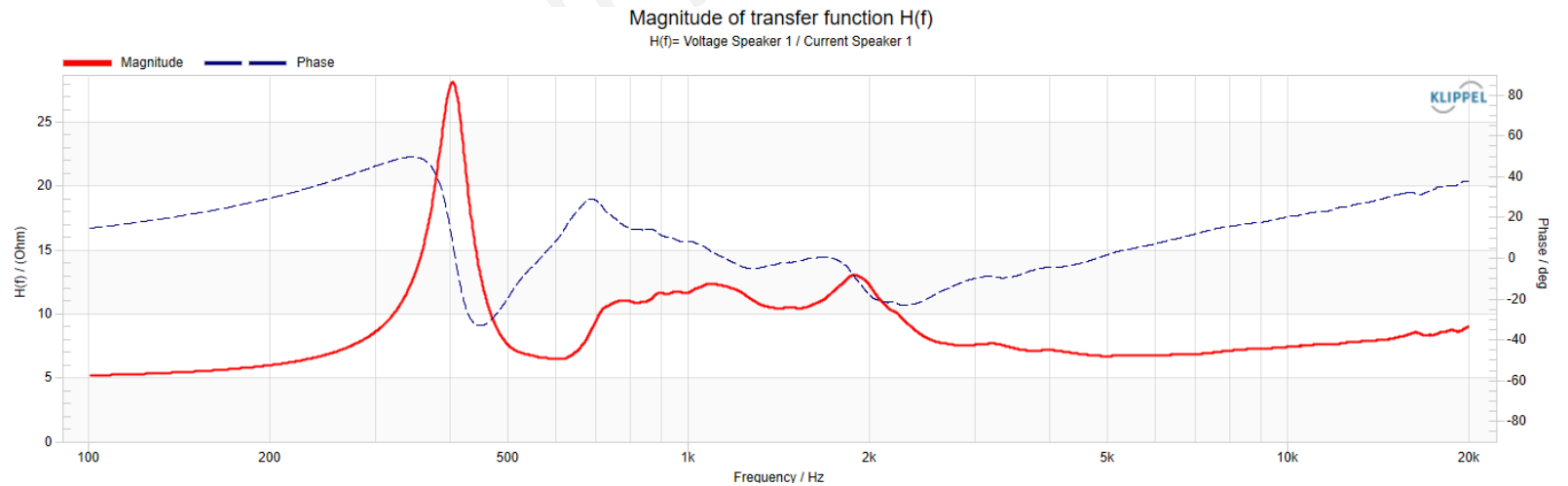
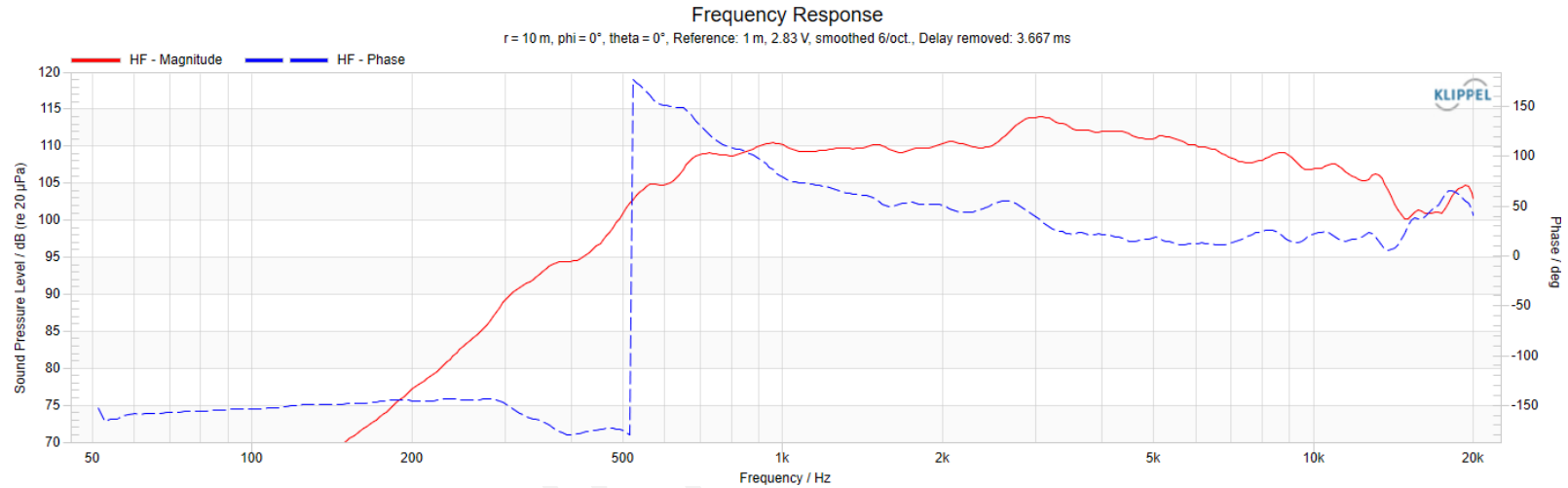
Mid Frequency 12" Unit

Sensitivity and Impedance



High Frequency 1.4" Unit

Sensitivity and Impedance

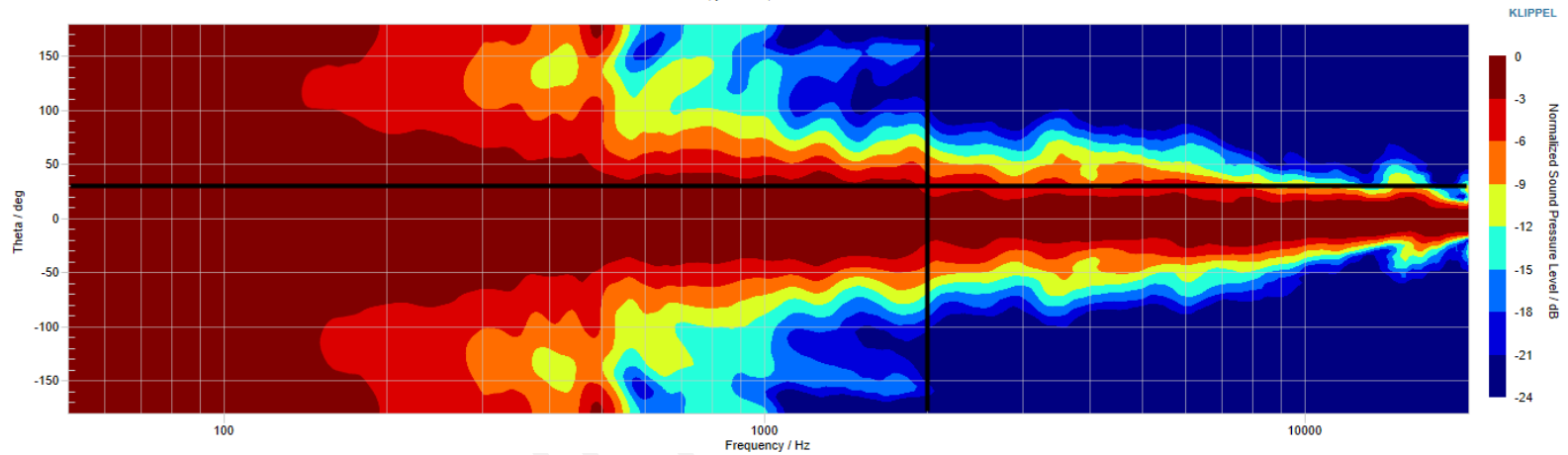


Directivity

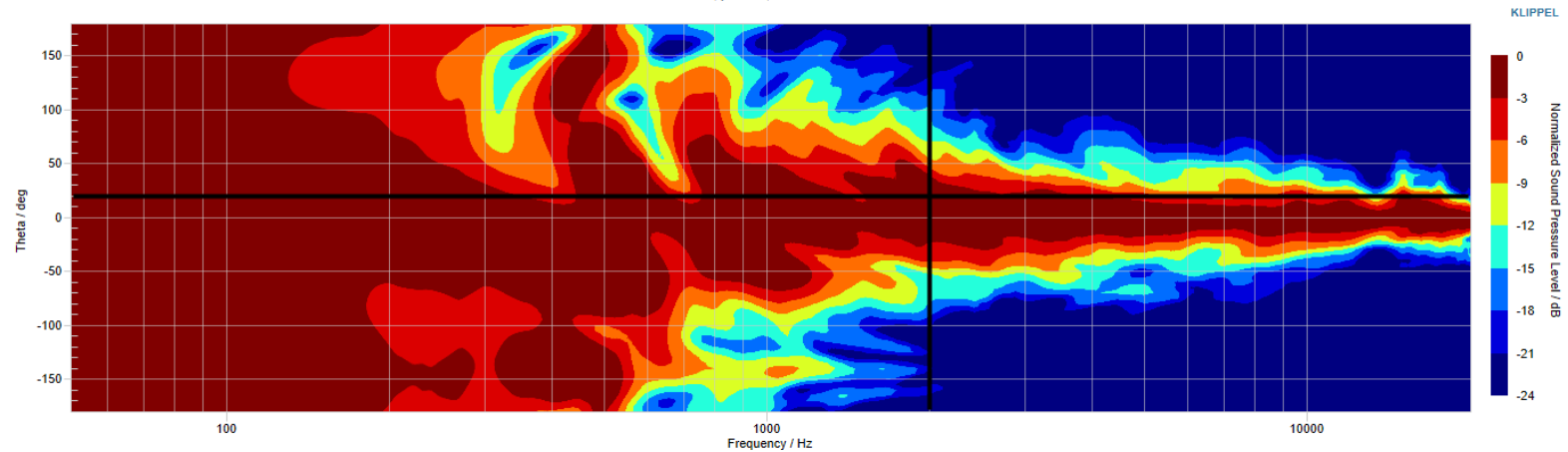
Directivity Horizontal and Vertical



Contour Plot - Horizontal
 $r = 10\text{ m}$, $\phi = 90^\circ$, normalized to On-Axis



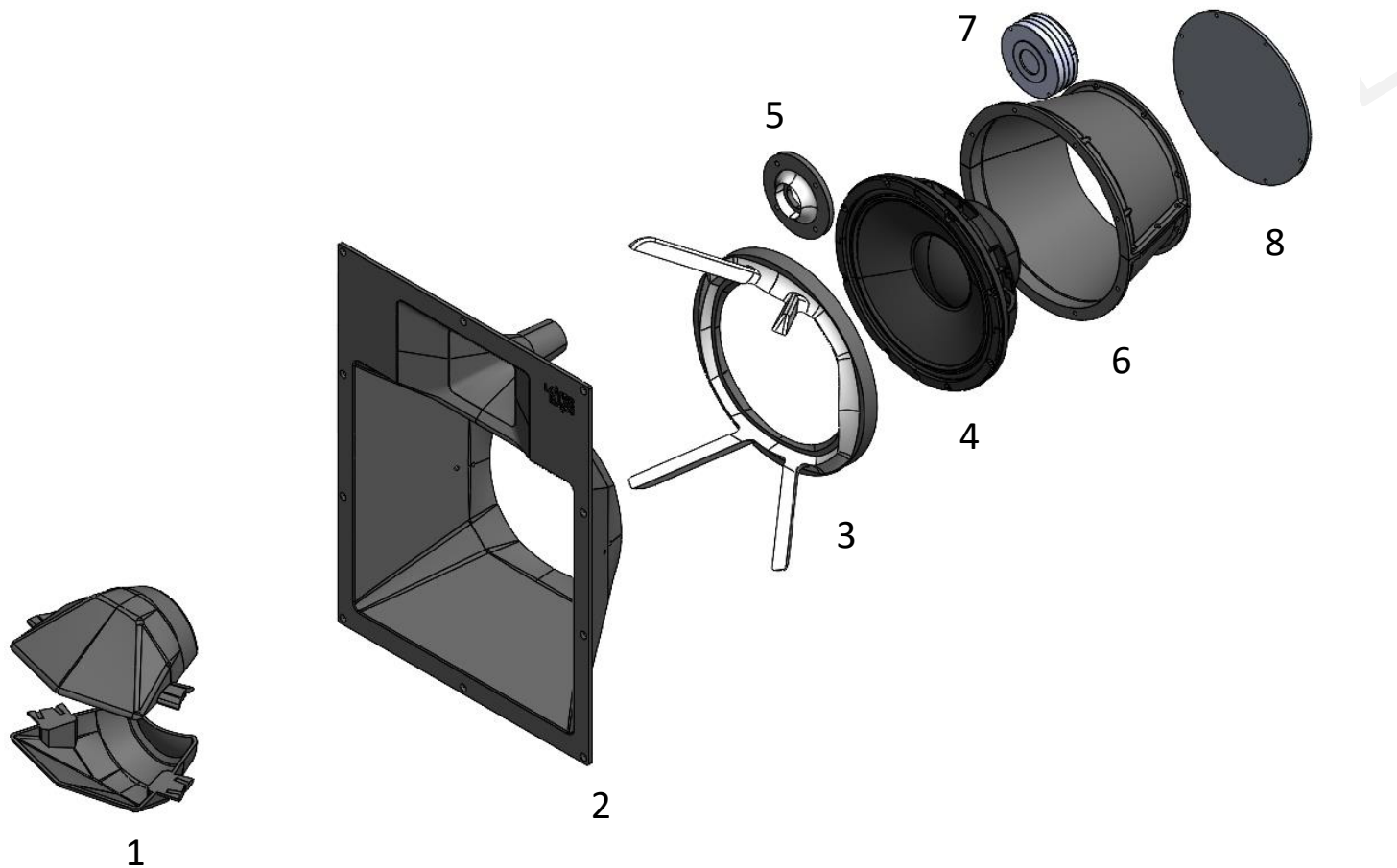
Contour Plot - Vertical
 $r = 10\text{ m}$, $\phi = 0^\circ$, normalized to On-Axis



Horn exploded view

Explode view

LOVER BASS



1. Rifasatore
2. Tromba
3. Flangia woofer
4. 12NMB1000
5. Flangia driver
6. Cappello
7. ND3T
8. Dissipatore