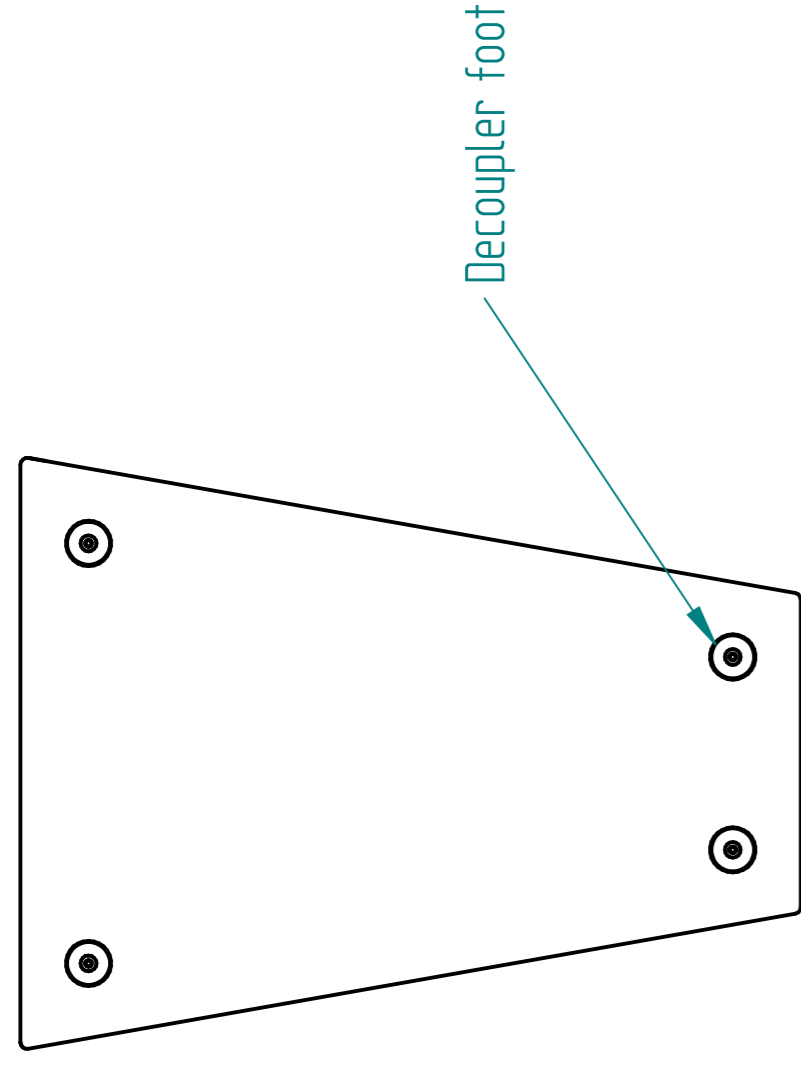
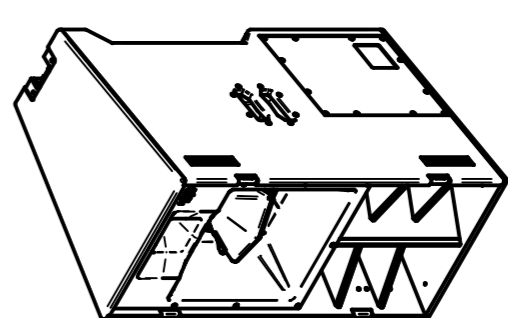
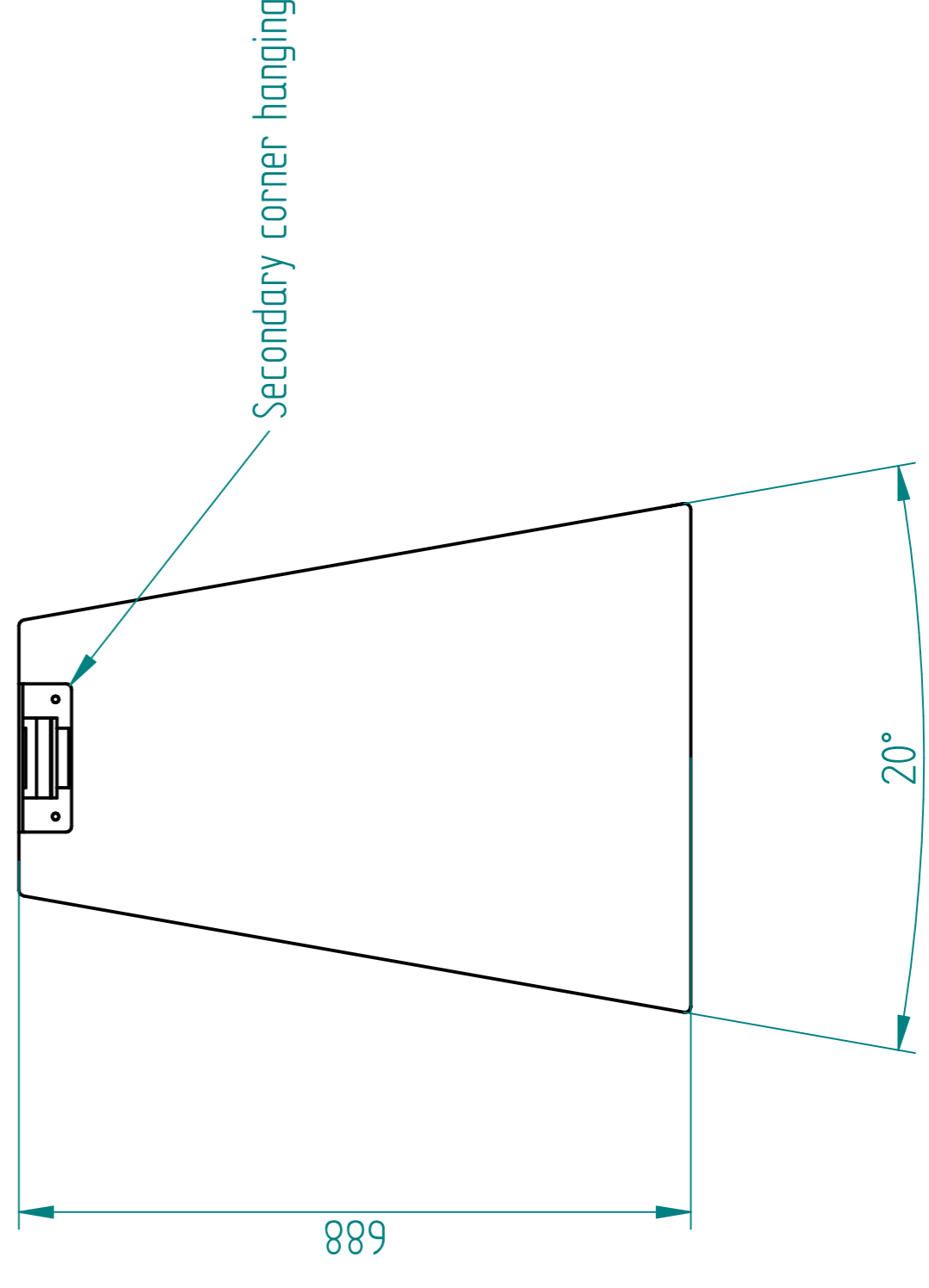
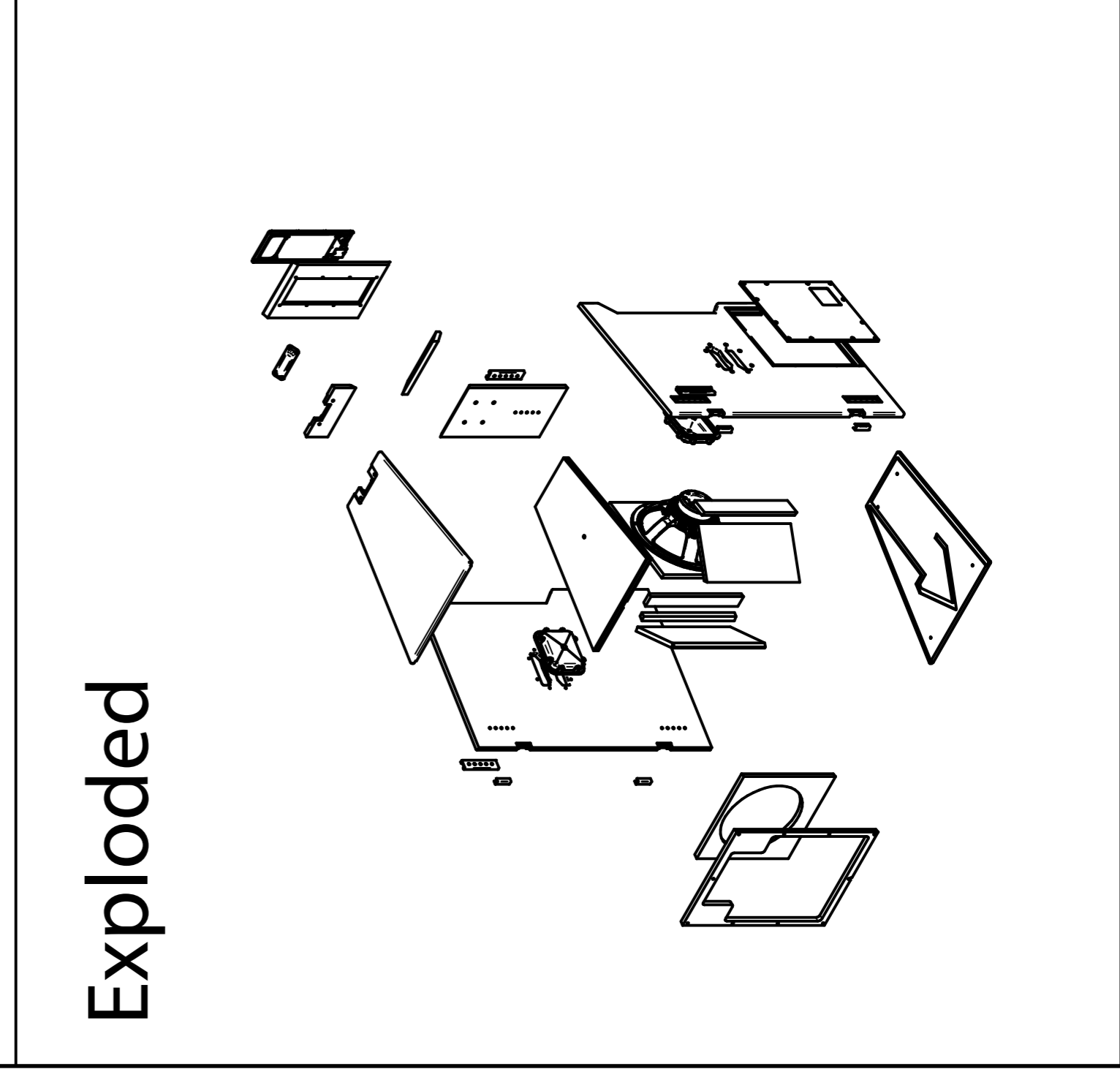
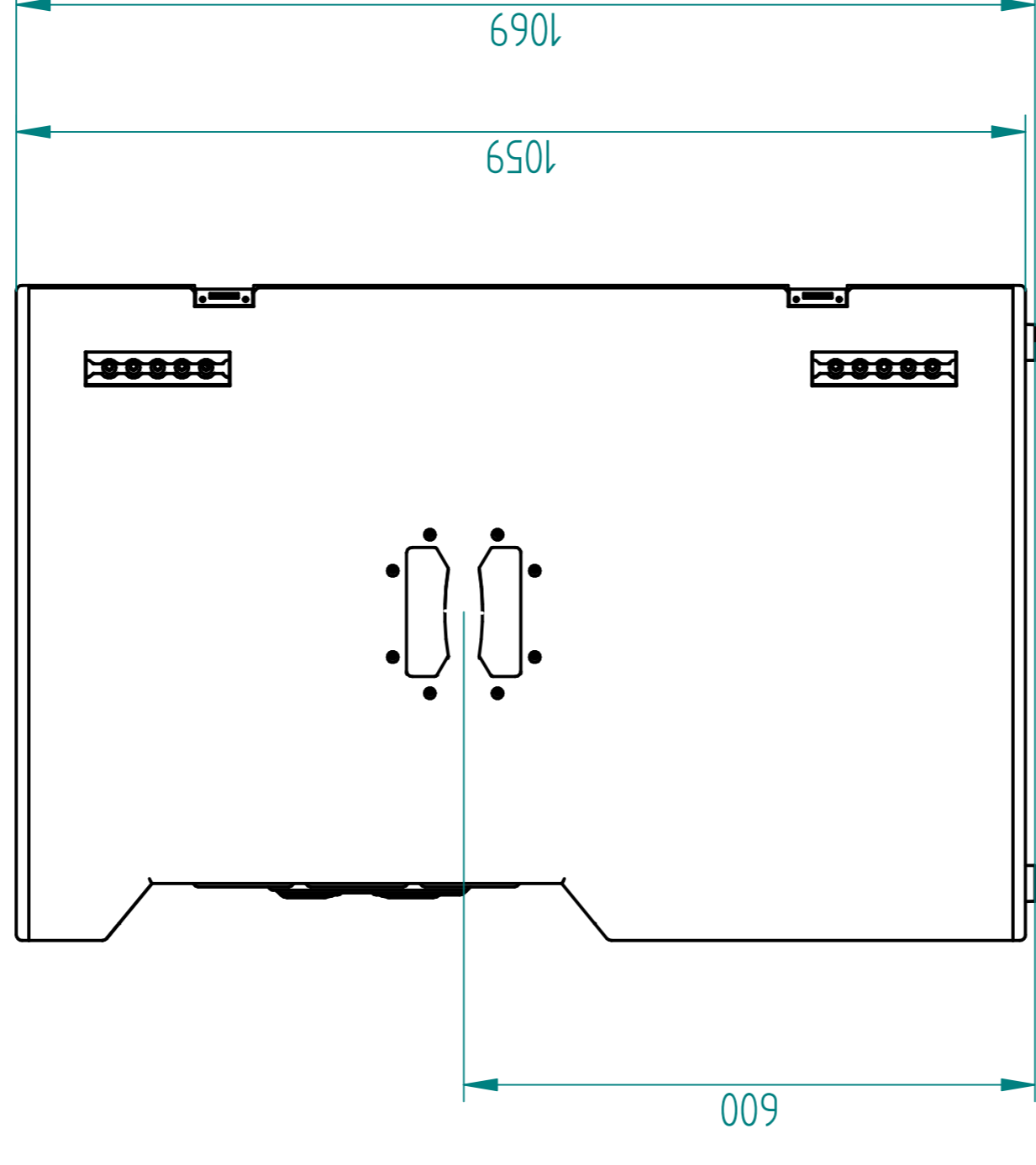
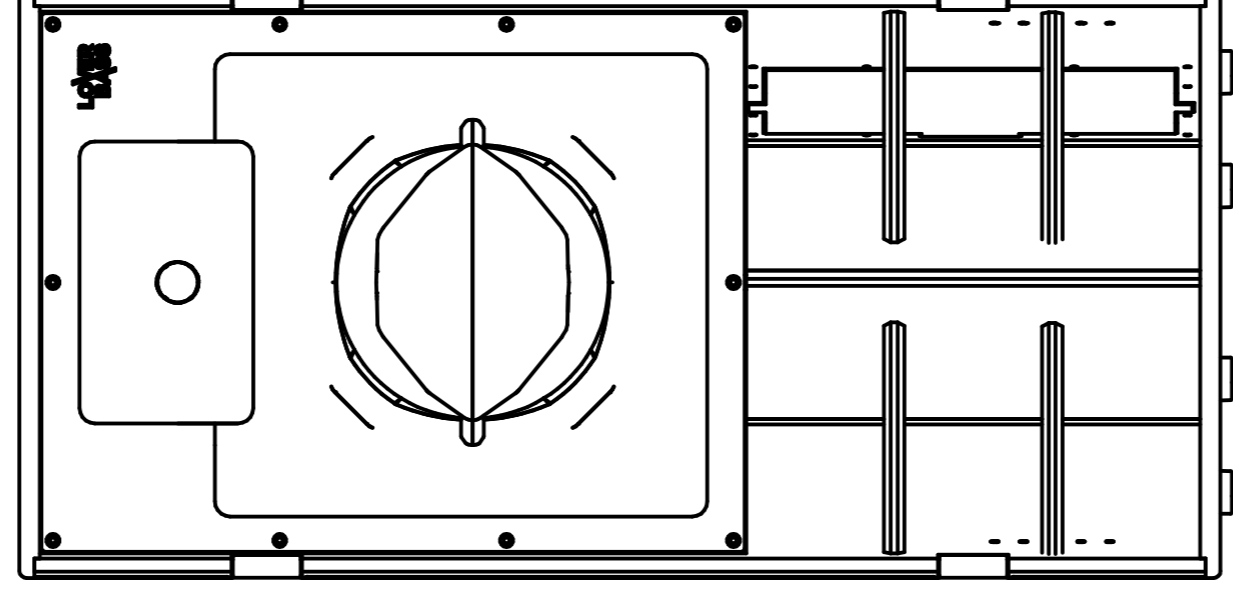
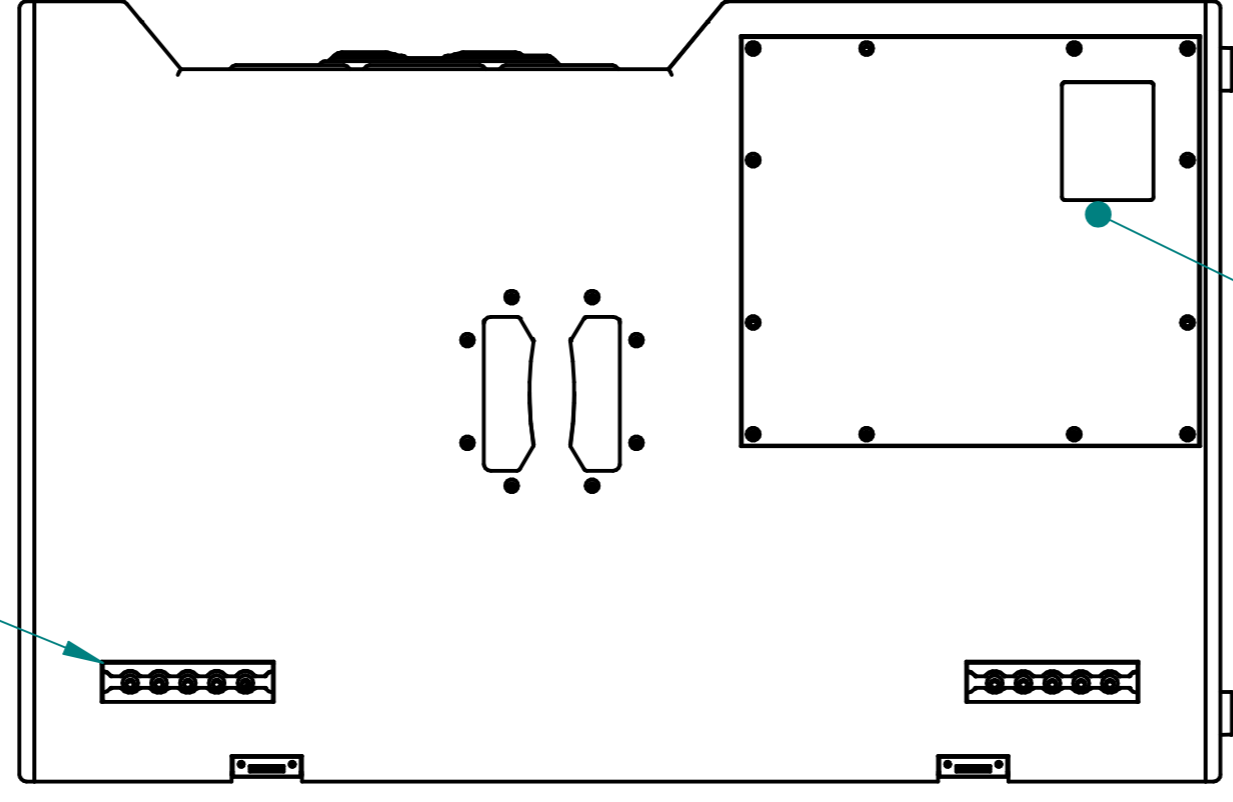
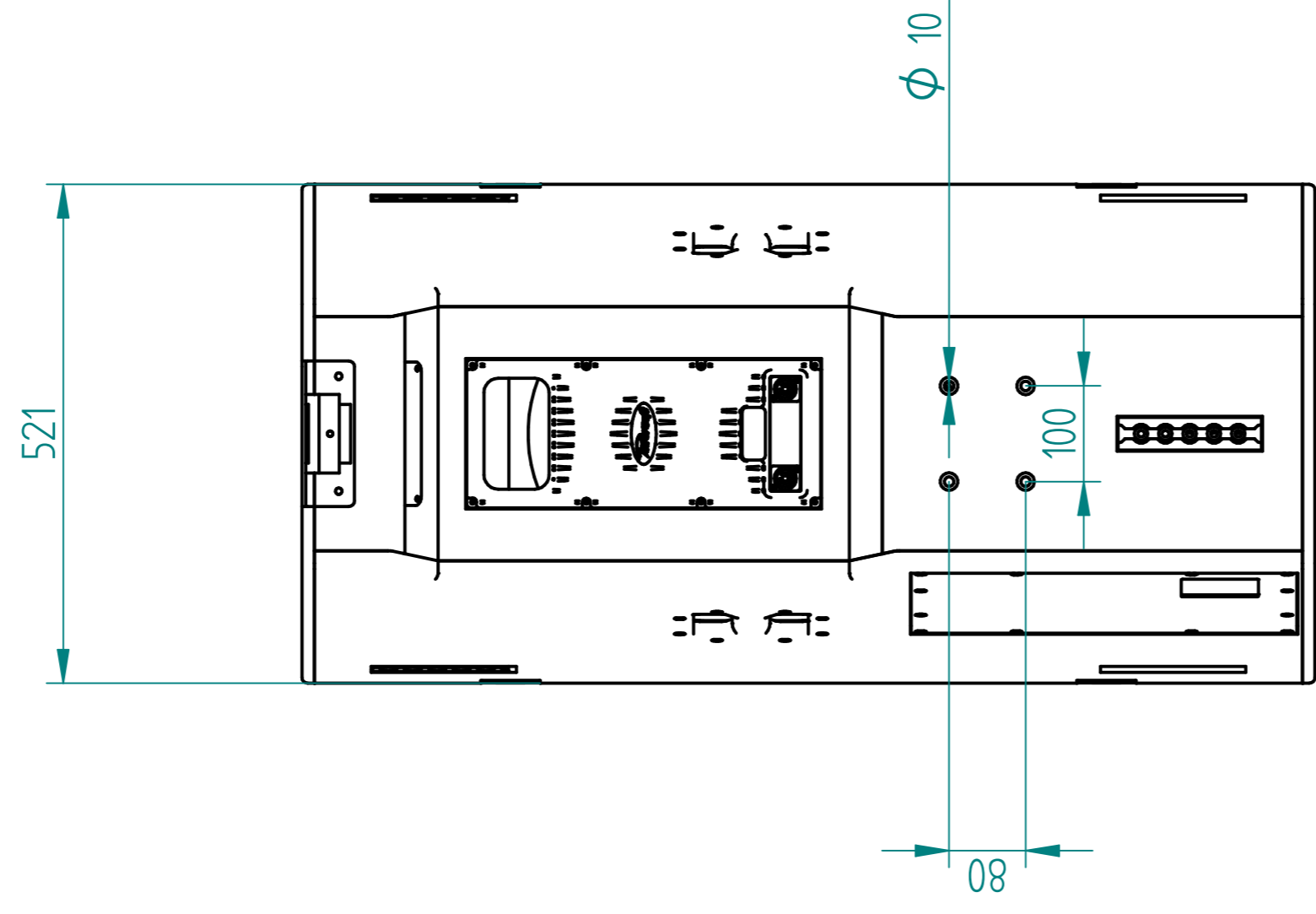


# Views Loberbass H3

REV	DESCRIPTION	DATE	APPROVED



Certified hanging >3000 Kg



NAME	DATE	TITLE	SIZE	DWG NO	REV
DRAWN	05/22/2023		A1		
CHECKED					
ENG APPR	Melberton M				
MGR APPR	Melberton M				

UNLESS OTHERWISE SPECIFIED  
DIMENSIONS ARE IN MILLIMETERS  
ANGLES °XX'  
2 PL. ±0.05 3 PL. ±0.08

FILE NAME: Drawing 218 SW.dft  
SCALE: 1:5  
SHEET 1 OF 2