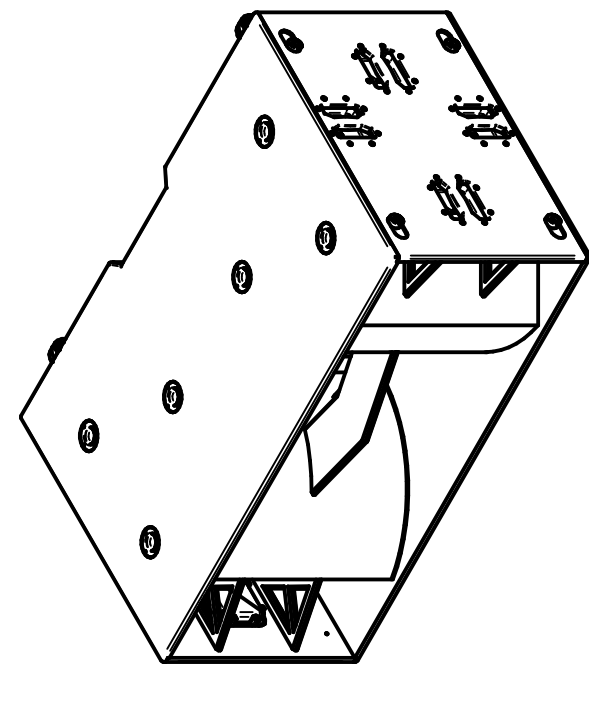
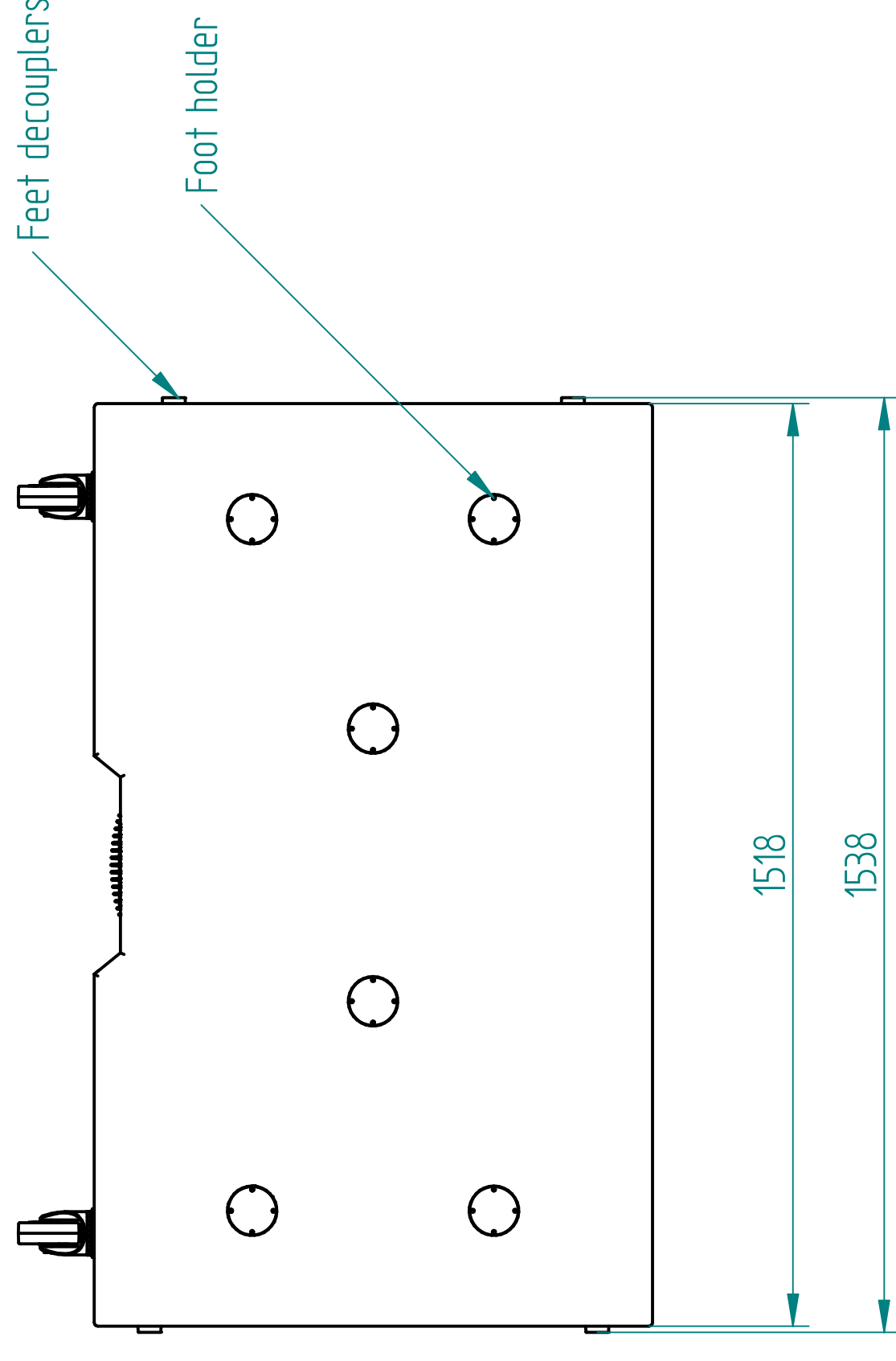
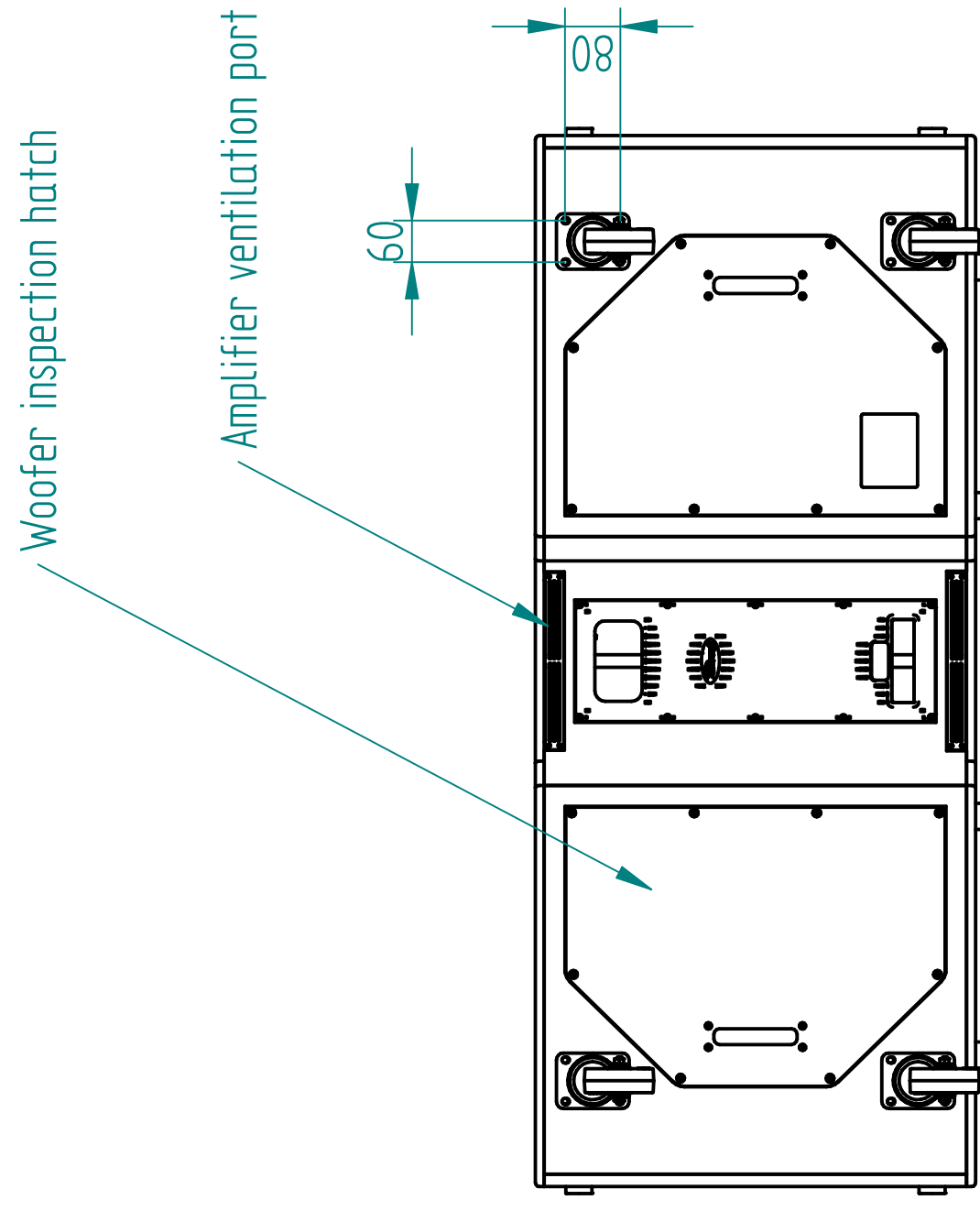
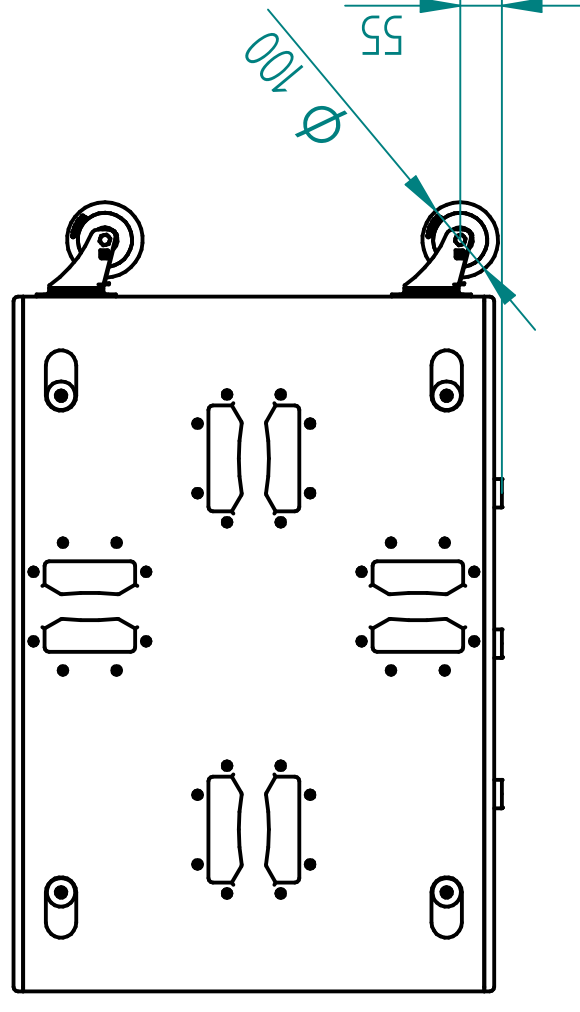
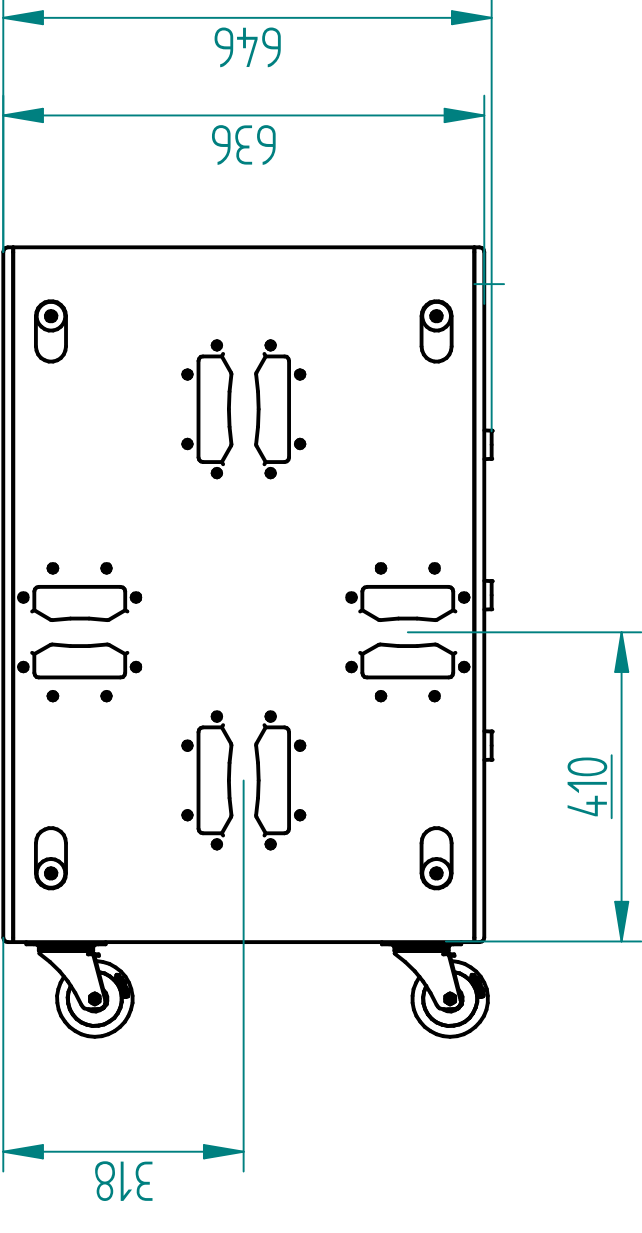
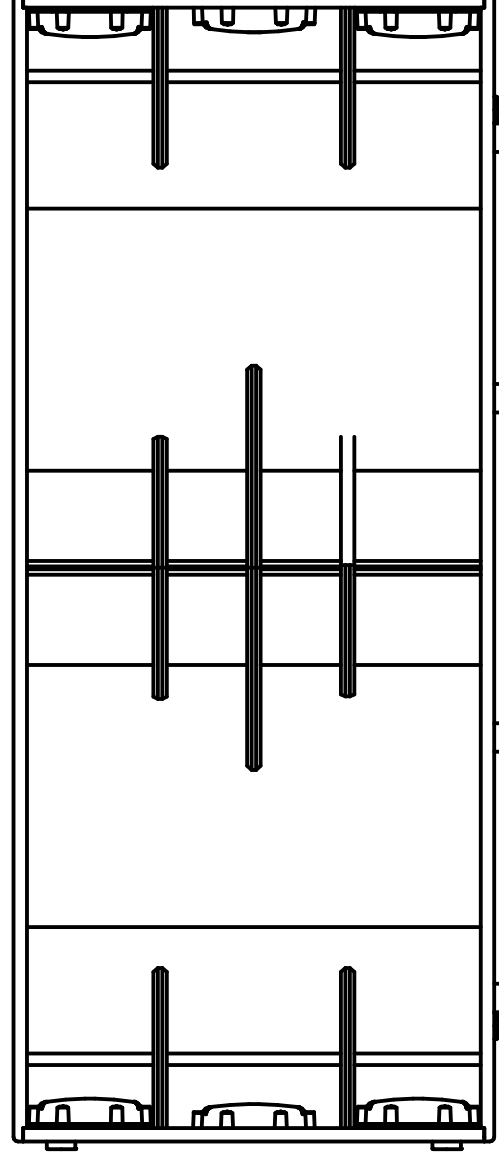
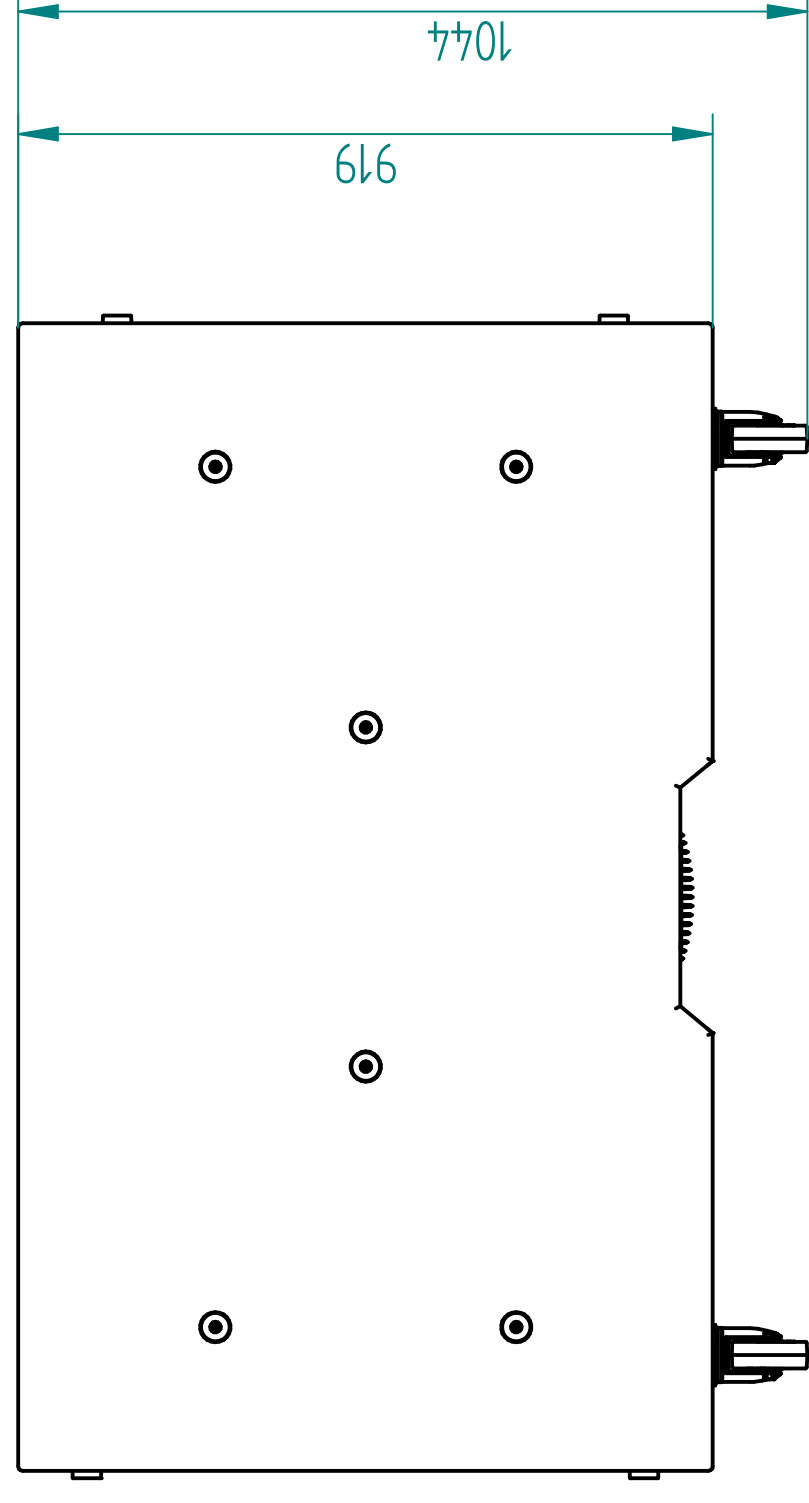
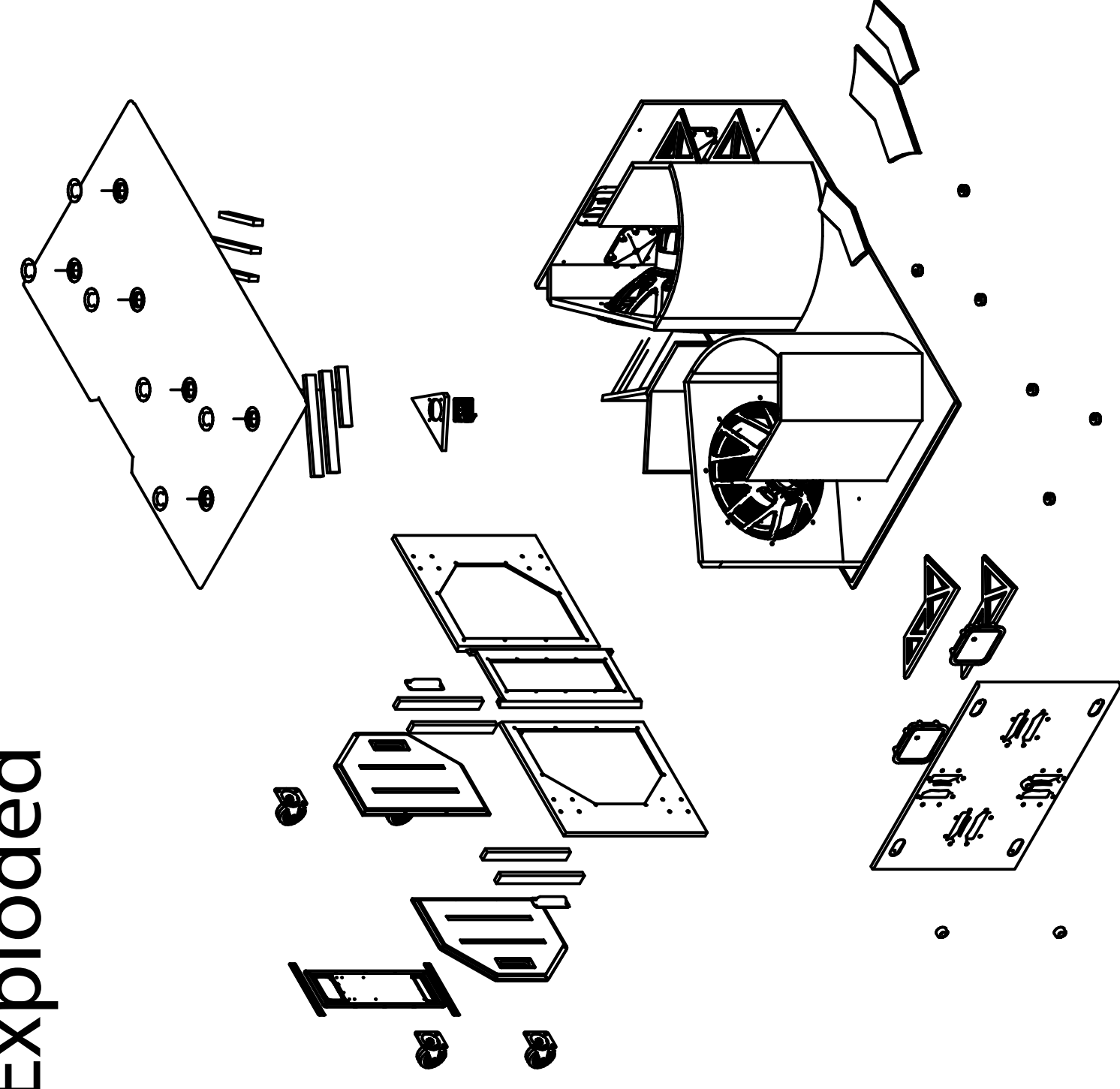


Views Loberbass Bi-221

REV	DESCRIPTION	DATE	APPROVED



Exploded



NAME	DATE
DRAWN	01/21/23
CHECKED	
ENG APPR	
MGR APPR	

SIZE	DWG NO	REV
A1		

UNLESS OTHERWISE SPECIFIED
DIMENSIONS ARE IN MILLIMETERS
ANGLES °XX'

2 PL ±0.03 3 PL ±0.05

SCALE: 1 : 10 WEIGHT: SHEET 1 OF 2